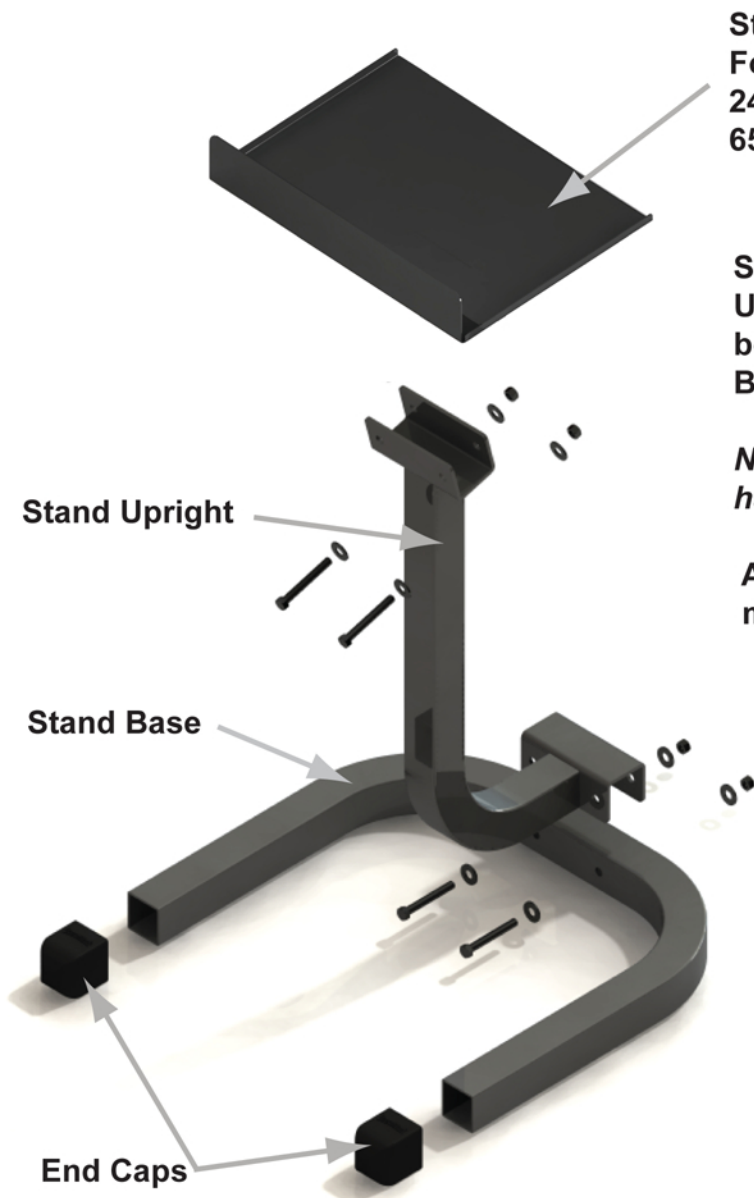




## SportStand Assembly Instructions

Thank you for purchasing the SportStand 4.5/5.0. If you have any questions concerning this product, please call customer service at 507-451-7397.



**Stand Top**  
For use with  
24, 45, 50 or  
65 lb sets

Start assembly by attaching Stand Upright to Stand Base with supplied bolts-washers-nuts, using two 17mm Box End Wrenches or socket set.

*NOTE: Be sure to sufficiently tighten all hardware to insure proper rigidity of Stand.*

Attach End caps to Stand Base (this step may already come assembled).

Attach Stand top to Stand Upright with supplied bolts-washers-nuts.

**WARNING!!!: SPORTSTAND MAXIMUM WEIGHT RATING IS 130 LBS (65 LBS PER BLOCK). USE OF HEAVIER WEIGHTS ON STAND COULD CAUSE SEVERE BODILY INJURY TO YOU OR OTHERS AROUND EQUIPMENT.**